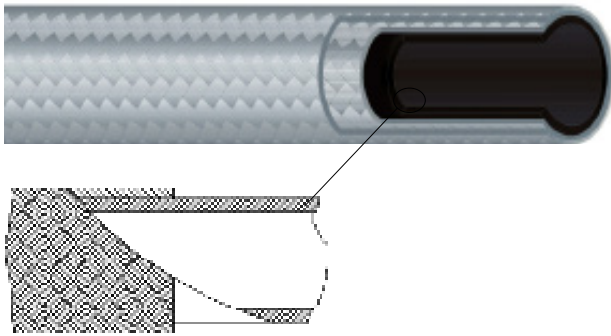


# T6160

## Double Braided Smoothbore Antistatic PTFE Hose

## Heavy Wall Gas Quality



### Key Features

- Excellent chemical resistance
- Lowest coefficient of friction of any known solid material
- Excellent temperature range
- Non-toxic - Odourless and flavourless
- Chemically Inert and solvent resistant
- Lightweight
- Very resistant to weathering and ageing

### Standards & Specifications

BS EN ISO 9001:2008, FDA 21 CFR 178.3287, 3A Sanitary Standards, SAE J1737, EN10204, EN45014, ATEX Directive 94/9/EC

### Description

A double braid reinforced, heavy wall smoothbore antistatic PTFE hose.

### Applications

The double sintered heavy wall reduces the permeation to an absolute minimum for products with a small molecular structure making this gas hose ideally suited for cylinder charging, breathing apparatus, discharging lines and aerosol charging lines. Other uses include; High pressure Gas and Skydrol applications. Also performs well in food, beverage, petrochemical, chemical, medical and pharmaceutical applications

### Construction

#### Liner

Black, antistatic PTFE

#### Reinforcement

Braid acts as reinforcement

#### Cover

Double layer of AISI 304 stainless steel braid

### Temperature Range

-60°C to +260°C

Specification								
Size	ID (mm)	OD (mm)	Wall (mm)	Bend Radius (mm)	WP (bar)	BP (bar)	Weight (kg/m)	Product Code
1/4"	6.45	11.23	1.2	65	350	1100	0.16	T6160-006
3/8"	9.93	14.72	1.2	100	350	1100	0.27	T6160-010
1/2"	13.06	18.71	1.2	120	350	1100	0.36	T6160-013
5/8"	16.10	22.16	1.2	160	350	1100	0.48	T6160-016
3/4"	19.30	29.27	1.4	200	350	1100	0.98	T6160-019
1"	25.60	36.33	1.4	250	350	1100	1.52	T6160-025