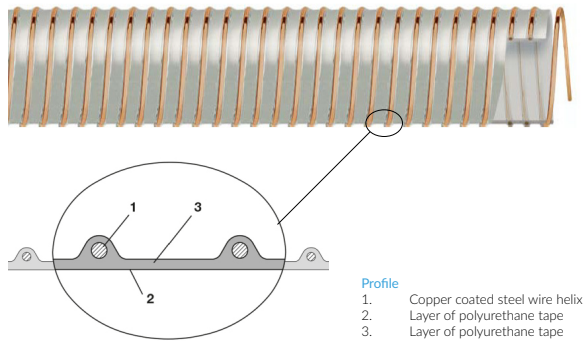


T3350-3410

Flexible Ducting

Highly Abrasion Resistant Polyurethane Ducting (Smoothbore & Antistatic)

2.50mm Wall



Key Features

- Heavy weight
- Resistant to abrasion and flexion
- Smooth inner surface
- Good flexibility and elasticity
- Good chemical resistance
- Excellent vacuum resistance

Temperature Range

-40°C to +90°C (+125 Intermittent)

Standards & Specifications

ATEX TRBS 2153 - Permanently antistatic to $R < 10^9$ Ohm (Zone 20)

Description

A flexible, extra heavy wall ducting manufactured from highly abrasion resistant polyurethane (polyester).
Very high vacuum resistance.

Applications

The smooth inner surface and abrasion resistant polyurethane material this ducting is made from make it ideal for the suction and transportation of very abrasive solids such as sand, gravel, shards, blasting media, cement, glass, steel wool, fibre glass reinforced plastics, silo and loading applications and street cutting equipment.
Only suitable for dry products.

Suitable for use in zone 20 ATEX/TRBS 2153 for the download of electrostatic build-up when both helix ends are earthed

Construction

Liner

Smooth, inner layer of polyurethane (polyester)

Reinforcement

Copper coated, spring steel wire

Cover

Smooth, inner layer of polyurethane (polyester)

Specification									
Size	ID (mm)	OD (mm)	Wall (mm)	Bend Radius (mm)	WP (bar)	Vacuum (bar)	Weight (kg/m)	Product Code	
1 1/4"	32	42	2.50	80	4.85	0.94	0.66	T3350-3410-032-101	
1 1/2"	38	48	2.50	95	4.39	0.94	0.78	T3350-3410-038-101	
-	40	50	2.50	100	4.27	0.94	0.83	T3350-3410-040-101	
1 3/4"	45	55	2.50	115	4.10	0.94	0.92	T3350-3410-045-101	
2"	50	61	2.50	125	4.00	0.94	1.04	T3350-3410-050-101	
-	55	65	2.50	140	3.75	0.89	1.10	T3350-3410-055-101	
2 3/8"	60	70	2.50	150	3.60	0.89	1.20	T3350-3410-060-101	
2 1/2"	65	75	2.50	165	3.30	0.89	1.29	T3350-3410-065-101	
-	70	80	2.50	175	3.15	0.89	1.38	T3350-3410-070-101	
3"	75	87	2.50	190	2.92	0.89	1.80	T3350-3410-075-101	
-	80	93	2.50	200	2.77	0.89	1.93	T3350-3410-080-101	
3 1/2"	90	103	2.50	225	2.40	0.89	2.16	T3350-3410-090-101	
4"	100	115	2.50	250	2.10	0.87	2.80	T3350-3410-100-101	
-	110	124	2.50	275	1.95	0.87	2.95	T3350-3410-110-101	

Highly Abrasion Resistant Polyurethane Ducting (Smoothbore & Antistatic)

2.50mm Wall

Specification								
Size	ID (mm)	OD (mm)	Wall (mm)	Bend Radius (mm)	WP (bar)	Vacuum (bar)	Weight (kg/m)	Product Code
4 1/2"	115	129	2.50	290	1.80	0.87	3.35	T3350-3410-115-101
-	120	134	2.50	300	1.65	0.87	3.75	T3350-3410-120-101
5"	125	140	2.50	315	1.65	0.87	4.09	T3350-3410-125-101
-	130	143	2.50	325	1.65	0.83	4.30	T3350-3410-130-101
-	140	153	2.50	350	1.50	0.83	4.50	T3350-3410-140-101
6"	150	167	2.50	450	1.50	0.82	4.53	T3350-3410-150-101
-	160	175	2.50	500	1.35	0.81	5.05	T3350-3410-160-101
-	175	190	2.50	650	1.20	0.79	5.25	T3350-3410-175-101
7"	180	195	2.50	700	1.20	0.76	5.40	T3350-3410-180-101
8"	200	220	2.50	950	1.05	0.66	6.43	T3350-3410-200-101
-	225	241	2.50	1150	0.90	0.58	7.11	T3350-3410-225-101
10"	250	267	2.50	1300	0.90	0.51	8.25	T3350-3410-250-101
-	275	292	2.50	1450	0.75	0.46	8.68	T3350-3410-275-101
12"	300	317	2.50	1600	0.60	0.42	9.12	T3350-3410-300-101