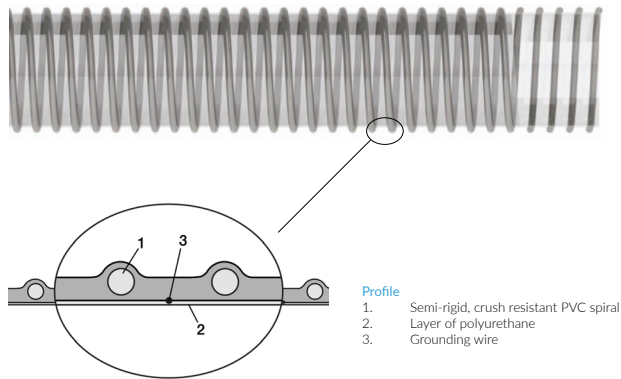


# T3301-AS

Flexible Ducting

Superflex || Antistatic Polyurethane Ducting

0.8mm - 1.2mm Wall



### Description

A flexible, mediumweight, smoothbore, polyurethane ducting. Wall thickness ranges between 0.8mm-1.2mm. PU Superflex is hydrolysis and microbe resistant and made from FDA compounds. In order to make this hose antistatic a copper wire is added which can be earthed in accordance to TRB 2 2153.

### Applications

Superflex Polyurethane Ducting is up to 10 times more abrasive resistant than its PVC equivalent and offers resistance to premature ageing. Ideally suited for applications requiring the conveying of abrasive materials such as sawdust, splinters, granules, salt, sugar and all kinds of powders and dusts.

### Key Features

- Lightweight
- Resistant to abrasion and flexion
- Chemically resistant
- High flexibility and elasticity
- Phthalate free

### Construction

#### Liner

Single layer of polyurethane tape

#### Reinforcement

Semi-rigid, crush resistant PVC spiral

#### Cover

Single layer of polyurethane tape

### Standards & Specifications

FDA CFR 21.177.2600, EU Regulation 10/2011 (A, B, C, D2),  
R≤10<sup>2</sup> Ohm/m to ISO 8031 - ATEX 94/4/EC & 99/92/EC.

### Temperature Range

-40°C to +80°C

Specification								
Size	ID (mm)	OD (mm)	Wall (mm)	Bend Radius (mm)	WP (bar)	Vacuum (mtH2O)	Weight (kg/m)	Product Code
1 ½"	38		0.8	130		3.0	0.31	T3301-AS-038
-	40		1.0	140		3.0	0.35	T3301-AS-040
1 ¾"	45		1.0	160		3.0	0.44	T3301-AS-045
2"	51		1.0	175		3.0	0.55	T3301-AS-051
2 ⅜"	60		1.0	200		3.0	0.64	T3301-AS-060
2 ½"	63		1.0	230		3.0	0.67	T3301-AS-063
3"	76		1.0	270		2.5	0.78	T3301-AS-076
3 ⅜"	80		1.0	290		2.5	0.90	T3301-AS-080
3 ½"	90		1.0	360		2.5	1.05	T3301-AS-090
4"	102		1.0	400		2.5	1.27	T3301-AS-102
5"	127		1.0	500		2.5	1.60	T3301-AS-127
5 ½"	140		1.0	570		2.0	1.80	T3301-AS-140
6"	152		1.0	600		2.0	2.00	T3301-AS-152
8"	203		1.2	400		1.0	2.90	T3301-AS-203
10"	254		1.2	500		1.0	3.60	T3301-AS-254
12"	305		1.2	610		0.8	4.30	T3301-AS-305

### Notes

Available in 30m, 20m & 10m lengths

Flextech Hose Solutions Ltd.  
945-946 Yeovil Road  
Trading Estate, Slough  
Berkshire, SL1 4NH  
United Kingdom

Office: +44 (0) 1753 570 099  
Accounts: +44 (0) 1753 378 984  
Fax: +44 (0) 1753 550 011  
Email: sales@flextechhose.co.uk  
Website: flextechhose.co.uk

Company Registration Number: GB 7056556  
VAT Number: GB 212764327  
D-U-N-S: 216259232

