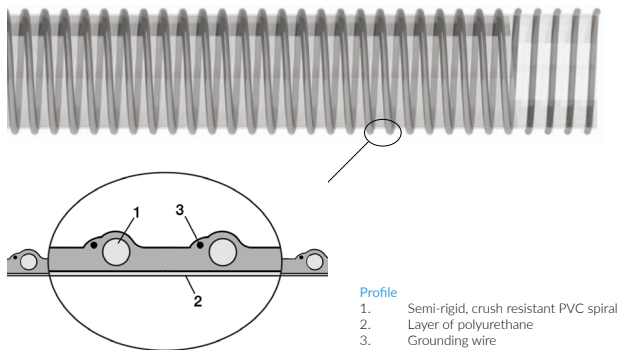


T3300-AS

Flexible Ducting

Superflex || Antistatic Polyurethane Ducting

0.4mm - 0.8mm Wall



Key Features

- Lightweight
- Resistant to abrasion and flexion
- Chemically resistant
- High flexibility and elasticity
- Phthalate free

Standards & Specifications

FDA CFR 21.177.2600, EU Regulation 10/2011 (A, B, C, D2),
R≤10² Ohm/m to ISO 8031 - ATEX 94/4/EC & 99/92/EC.

Description

A flexible, lightweight, smoothbore, polyurethane ducting. Wall thickness ranges between 0.5mm-0.7mm. PU Superflex is hydrolysis and microbe resistant and made from FDA compounds. In order to make this hose antistatic a copper wire is added which can be earthed in accordance to TRB 2 2153.

Applications

Superflex Polyurethane Ducting is up to 10 times more abrasive resistant than its PVC equivalent and offers resistance to premature ageing. Ideally suited for applications requiring the conveying of abrasive materials such as sawdust, splinters, granules, salt, sugar and all kinds of powders and dusts.

Construction

Liner

Single layer of polyurethane tape

Reinforcement

Semi-rigid, crush resistant PVC spiral

Cover

Single layer of polyurethane tape

Temperature Range

-40°C to +80°C

| Specification | | | | | | | | |
|---------------|---------|---------|-----------|------------------|----------|---------------|---------------|--------------|
| Size | ID (mm) | OD (mm) | Wall (mm) | Bend Radius (mm) | WP (bar) | Vacuum (mH2O) | Weight (kg/m) | Product Code |
| - | 20 | | 0.4 | 25 | | 2.5 | 0.11 | T3300-AS-020 |
| 1" | 25 | | 0.4 | 30 | | 2.5 | 0.15 | T3300-AS-025 |
| 1 ¼" | 32 | | 0.4 | 35 | | 2.0 | 0.18 | T3300-AS-032 |
| 1 ½" | 38 | | 0.5 | 50 | | 2.0 | 0.22 | T3300-AS-038 |
| - | 40 | | 0.5 | 60 | | 2.0 | 0.23 | T3300-AS-040 |
| 1 ¾" | 45 | | 0.5 | 65 | | 2.0 | 0.27 | T3300-AS-045 |
| 2" | 51 | | 0.5 | 70 | | 2.0 | 0.32 | T3300-AS-051 |
| - | 55 | | 0.5 | 75 | | 2.0 | 0.40 | T3300-AS-055 |
| 2 ⅜" | 60 | | 0.5 | 80 | | 1.6 | 0.47 | T3300-AS-060 |
| 2 ½" | 63 | | 0.5 | 80 | | 1.6 | 0.51 | T3300-AS-063 |
| - | 65 | | 0.5 | 90 | | 1.6 | 0.52 | T3300-AS-065 |
| 3" | 76 | | 0.6 | 100 | | 1.6 | 0.60 | T3300-AS-076 |
| 3 ⅝" | 80 | | 0.6 | 110 | | 1.9 | 0.65 | T3300-AS-080 |
| 3 ½" | 90 | | 0.6 | 125 | | 1.4 | 0.75 | T3300-AS-090 |
| 4" | 102 | | 0.6 | 140 | | 1.3 | 0.83 | T3300-AS-102 |

Flextech Hose Solutions Ltd.
945-946 Yeovil Road
Trading Estate, Slough
Berkshire, SL1 4NH
United Kingdom

Office: +44 (0) 1753 570 099
Accounts: +44 (0) 1753 378 984
Fax: +44 (0) 1753 550 011
Email: sales@flextechhose.co.uk
Website: flextechhose.co.uk

Company Registration Number: GB 7056556
VAT Number: GB 212764327
D-U-N-S: 216259232



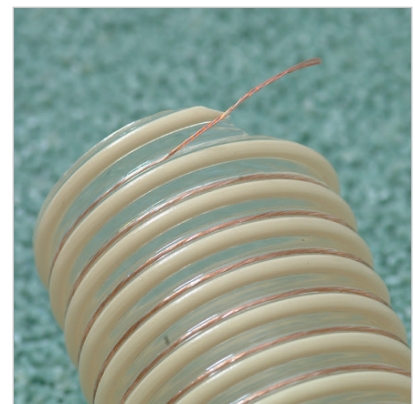
T3300-AS

Flexible Ducting

Superflex || Antistatic Polyurethane Ducting

0.4mm - 0.8mm Wall

| Specification | | | | | | | | |
|---------------|---------|---------|-----------|------------------|----------|----------------|---------------|--------------|
| Size | ID (mm) | OD (mm) | Wall (mm) | Bend Radius (mm) | WP (bar) | Vacuum (mtH2O) | Weight (kg/m) | Product Code |
| 5" | 127 | | 0.6 | 170 | | 1.0 | 1.15 | T3300-127 |
| 5 1/2" | 140 | | 0.7 | 180 | | 0.9 | 1.43 | T3300-140 |
| 6" | 152 | | 0.7 | 200 | | 0.8 | 1.50 | T3300-152 |
| - | 160 | | 0.7 | 220 | | 0.7 | 1.94 | T3300-160 |
| 7" | 180 | | 0.7 | 250 | | 0.4 | 2.14 | T3300-180 |
| 8" | 200 | | 0.7 | 260 | | 0.4 | 2.30 | T3300-200 |
| 9" | 250 | | 0.8 | 300 | | 0.4 | 3.40 | T3300-250 |
| 10" | 300 | | 0.8 | 350 | | 0.3 | 4.10 | T3300-300 |



Notes

Available in 30m, 20m & 10m lengths